

# Rushmore Enterprises Inc.

7502 Eastpoint Blvd, Baytown TX 77521. Email: [sales@rushmorepipes.com](mailto:sales@rushmorepipes.com)

## Bulb Flat: Size, Bundle, Feet, weight calculation

Size	Length.	Pcs/	Ft/	M Ton/	Lbs./	Lbs./	Lbs./
Bulb Flat	Ft	Bdl	Bdl	Bdl	Bdl	Ft	Pcs.
80 * 5	40	15	600	0.778	1715.194	2.859	114.346
80 * 6	40	15	600	0.893	1968.726	3.281	131.248
100 * 6	40	15	600	1.113	2453.742	4.090	163.583
100 * 7	40	15	600	1.255	2766.798	4.611	184.453
100 * 8	40	15	600	1.400	3086.468	5.144	205.765
120 * 6	40	15	600	1.340	2954.191	4.924	196.946
120 * 7	40	15	600	1.512	3333.385	5.556	222.226
120 * 8	40	15	600	1.684	3712.58	6.188	247.505
140 * 7	40	15	600	1.784	3933.042	6.555	262.203
140 * 8	40	15	600	1.986	4378.375	7.297	291.892
140 * 9	40	15	600	2.187	4821.504	8.036	321.434
140 * 10	40	15	600	2.388	5264.633	8.774	350.976
160 * 7	40	15	600	2.097	4623.088	7.705	308.206
160 * 8	40	15	600	2.328	5132.355	8.554	342.157
160 * 9	40	15	600	2.557	5637.213	9.395	375.814
160 * 11	40	15	600	3.018	6653.543	11.089	443.570
180 * 8	40	15	600	2.708	5970.111	9.950	398.007
180 * 9	40	15	600	2.968	6543.312	10.906	436.221
180 * 10	40	15	600	3.226	7112.104	11.854	474.140
180 * 11	40	15	600	3.484	7680.896	12.801	512.060
200 * 9	40	10	400	2.266	4995.669	12.489	499.567
200 * 10	40	10	400	2.457	5416.751	13.542	541.675
200 * 11	40	10	400	2.649	5840.038	14.600	584.004
200 * 11.5	40	10	400	2.745	6051.682	15.129	605.168
200 * 12	40	10	400	2.84	6261.121	15.653	626.112
220 * 10	40	10	400	2.778	6124.434	15.311	612.443
220 * 11	40	10	400	2.989	6589.609	16.474	658.961
220 * 12	40	10	400	3.199	7052.579	17.631	705.258
240 * 10	40	10	400	3.111	6858.573	17.146	685.857
240 * 11	40	10	400	3.342	7367.84	18.420	736.784
240 * 12	40	10	400	3.571	7872.698	19.682	787.270
260 * 10	40	10	400	3.459	7625.781	19.064	762.578
260 * 11	40	10	400	3.708	8174.731	20.437	817.473
260 * 12	40	10	400	3.956	8721.477	21.804	872.148
280 * 10	40	10	400	3.819	8419.444	21.049	841.944
280 * 11	40	10	400	4.087	9010.282	22.526	901.028
280 * 12	40	10	400	4.355	9601.12	24.003	960.112
280 * 13	40	10	400	4.624	10194.16	25.485	1019.416
300 * 11	40	8	320	3.582	7896.949	24.678	987.119
300 * 12	40	8	320	3.815	8410.625	26.283	1051.328
300 * 13	40	8	320	4.045	8917.688	27.868	1114.711
320 * 12	40	6	240	3.118	6874.005	28.642	1145.668
320 * 13	40	6	240	3.301	7277.451	30.323	1212.908
320 * 14	40	6	240	3.484	7680.896	32.004	1280.149
340 * 13	40	6	240	3.577	7885.926	32.858	1314.321
340 * 14	40	6	240	3.77	8311.417	34.631	1385.236
370 * 13	40	4	160	2.669	5884.131	24.517	1471.033
370 * 14	40	4	160	2.811	6197.187	25.822	1549.297
370 * 15	40	4	160	2.952	6508.038	27.117	1627.010
400 * 14	40	4	160	3.121	6880.619	28.669	1720.155
400 * 15	40	4	160	3.274	7217.926	30.075	1804.481
400 * 16	40	4	160	3.426	7553.028	31.471	1888.257
430 * 14	40	4	160	3.445	7594.916	31.645	1898.729
430 * 15	40	4	160	3.606	7949.86	33.124	1987.465
430 * 17	40	4	160	3.938	8681.794	36.174	2170.448
430 * 19	40	3	120	3.199	7052.579	58.771	2350.860
430 * 20	40	3	120	3.323	7325.952	61.050	2441.984

INCHES

0 mm 10 20 30 40 50 60 70 80 90 100 110 120 130 140 150 160 170 180 190 200 210 220 230 240 250

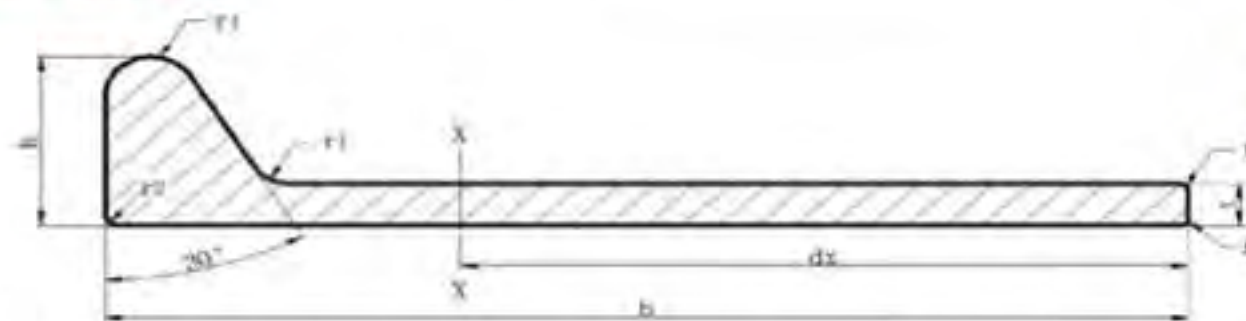
# Rushmore Enterprises Inc.

SUPPLY AND INVENTORY FOR:

PLATES, SEAMLESS PIPES, DSAW PIPES, ERW PIPES, ROLL-WELDED/ FABRICATED PIPES & SECTIONS

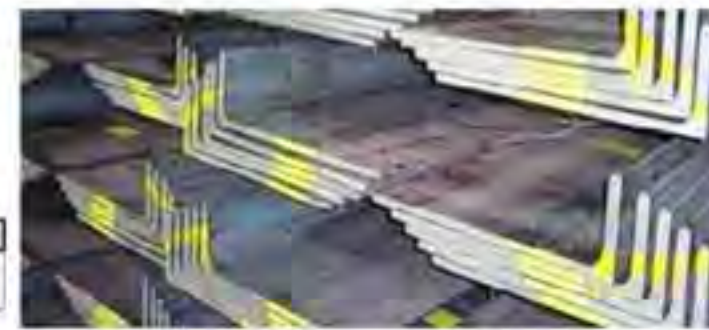
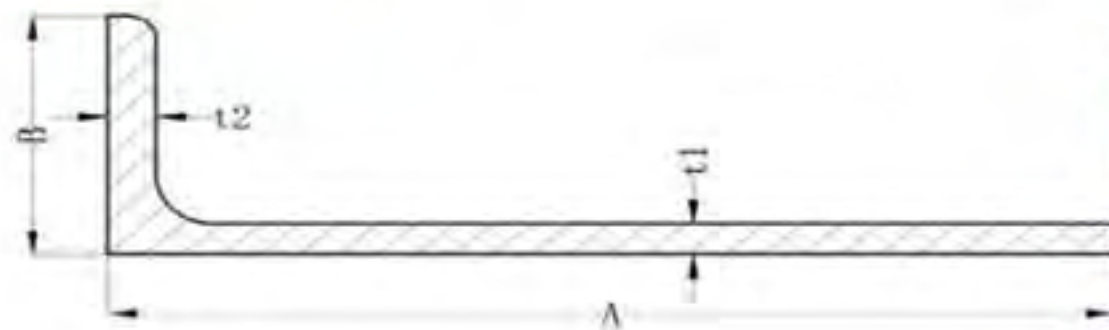
VISIT OUR WEB-SITE ...[www.rushmorepipes.com](http://www.rushmorepipes.com)... Call: # 713-305-9133; # 281-421-0501

## ● BULB FLATS



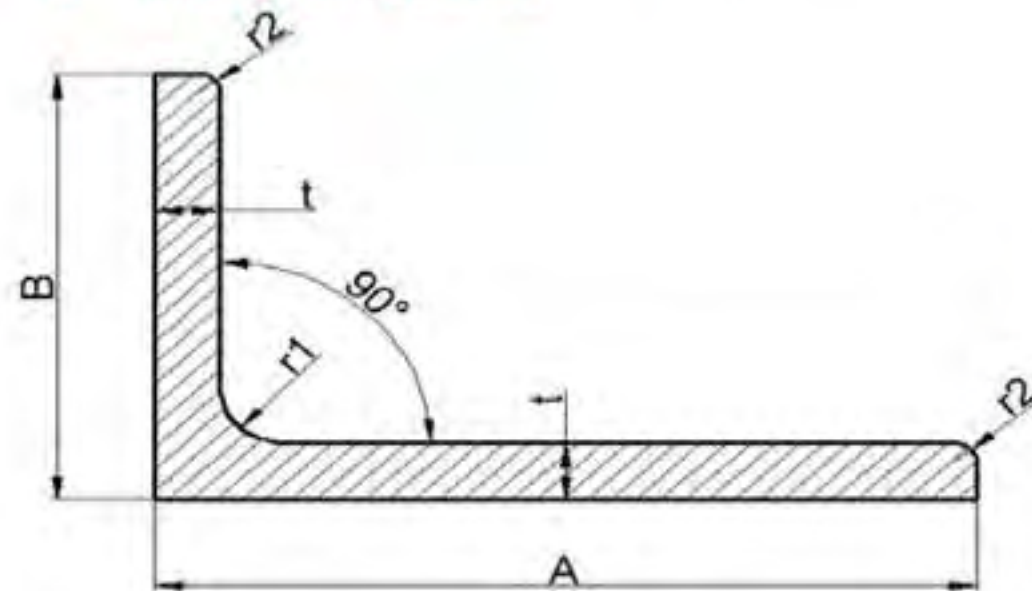
- Standard: GB/T9945-2001 《Hot-rolled Bulb Flat Steel》\*;
- Use: Hull Structure, Bridge Structure;
- Grade: A, B, AII32, AII36;
- Scope: IIP80~IIP430;
- ABS, LR, DNV, CCS, BV, GL, RINA, NK and KR approved.

## ● INVERTED ANGLES



- Standard : JIS G3192;
- Use : Hull Structure;
- Grade : A, B, AII32, AII36;
- Scope : 1200×90~1450×125 ;
- ABS, LR, DNV, CCS, BV, GL, RINA, NK and KR approved.

## ● UNEQUAL ANGLES



- Standard: GB/T706, JIS G3192;
- Use: Hull Structure;
- Grade: A, B, AII32, AII36;
- Scope: ∠75×50~∠200×125;
- ABS, LR, DNV, CCS, BV, GL, RINA, NK and KR approved.